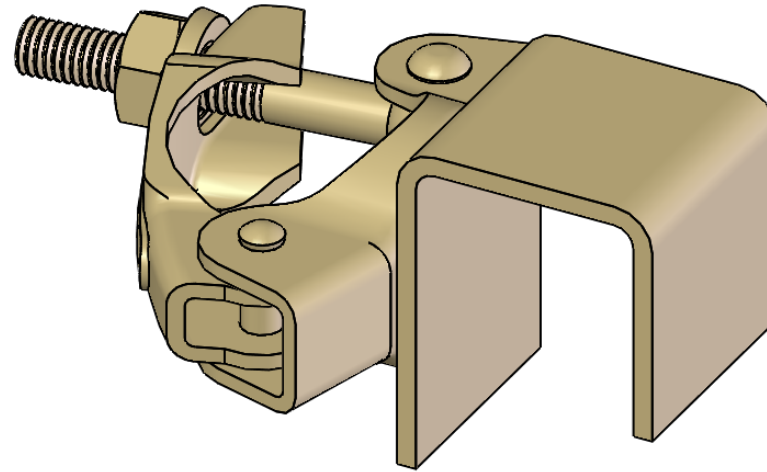


1
2
3
4
5
6
7
8

ALL DIMENSIONS IN MILLIMETRES
REMOVE ALL SHARP EDGES

THIRD ANGLE PROJECTION
DO NOT SCALE DRAWING



5	1/9/15	ISSUED FOR MANUFACTURE	GC	.	.
4	25/2/14	ISSUED FOR MANUFACTURE	GC	.	.
REV	DATE	DESCRIPTION	DRN	CHKD	APPR

TOLERANCES - UNLESS STATED OTHERWISE		
UNTOLERANCED DIMENSIONS	+/- 2mm	
CUTTING LENGTHS	+/- 2mm	
FABRICATION	UP TO 300mm	+/- 1mm
	UP TO 1000mm	+/- 2mm
	1001mm & ABOVE	+/- 3mm
	ANGULAR	+/- 1°
MACHINING	+/- 0.2mm	
GAUGE	+/- 10%	
WEIGHT	+/- 10% (DUE TO MATERIAL PROPERTIES & TOLERANCES)	

TITLE: SCAFFOLD 2 HOARD COUPLER DK90			
NAME	SIGNATURE	DATE	MATERIAL:
G. CRICK		29/1/8	CARBON STEEL
CHK'D			
FINISH:			ELECTRO-PLATE COLOUR: GOLD

ZNDUK

Drw / Stockcode No.

17852531

Revision

5

EURO Schelle für geschlossene Zäune - 1102

THE COMPANY RETAIN THE RIGHT TO PERIODICALLY ALTER INFORMATION WITHIN THIS DRAWING SHEET AND WILL ATTEMPT TO NOTIFY ALL PARTIES CONCERNED OF ANY CHANGES AND THE INFORMATION ON THIS SHEET SHOULD NOT BE REPRODUCED WITHOUT THEIR WRITTEN CONSENT.

WAS 17852831

WEIGHT: 0.75 Kg

SCALE: 1:1

SHEET 1 OF 7

A3